

SPLIT-TYPE AIR CONDITIONERS

Revision D:
 • MSZ-EF18/22/25/35/42/50VE3W - E1,
 MSZ-EF18/22/25/35/42/50VE3B - E1,
 MSZ-EF18/22/25/35/42/50VE3S - E1,
 MSZ-EF22/25/35/42/50VE3W - ER1,
 MSZ-EF22/25/35/42/50VE3B - ER1 and
 MSZ-EF22/25/35/42/50VE3S - ER1 have
 been added.

Please void OBB589 REVISED EDITION-C.

INDOOR UNIT PARTS CATALOG

**No. OBB589
REVISED EDITION-D**

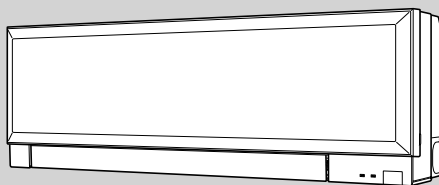
Models

- | | | |
|--|--|--|
| MSZ-EF18VEW/B/S - E1 | MSZ-EF22VEW/B/S - E1 | MSZ-EF25VEW/B/S - E1 |
| MSZ-EF35VEW/B/S - E1 | MSZ-EF42VEW/B/S - E1 | MSZ-EF50VEW/B/S - E1 |
| MSZ-EF18VE2W/B/S - E1 | MSZ-EF22VE2W/B/S - E1 | MSZ-EF25VE2W/B/S - E1 |
| MSZ-EF35VE2W/B/S - E1 | MSZ-EF42VE2W/B/S - E1 | MSZ-EF50VE2W/B/S - E1 |
| MSZ-EF18VE2W/B/S - ER1 | MSZ-EF22VE2W/B/S - ER1 | MSZ-EF25VE2W/B/S - ER1 |
| MSZ-EF35VE2W/B/S - ER1 | MSZ-EF42VE2W/B/S - ER1 | MSZ-EF50VE2W/B/S - ER1 |
| MSZ-EF18VE3W/B/S - E1 | MSZ-EF22VE3W/B/S - E1 | MSZ-EF25VE3W/B/S - E1 |
| MSZ-EF35VE3W/B/S - E1 | MSZ-EF42VE3W/B/S - E1 | MSZ-EF50VE3W/B/S - E1 |
| | MSZ-EF22VE3W/B/S - ER1 | MSZ-EF25VE3W/B/S - ER1 |
| MSZ-EF35VE3W/B/S - ER1 | MSZ-EF42VE3W/B/S - ER1 | MSZ-EF50VE3W/B/S - ER1 |

CONTENTS

- 1. RoHS PARTS LIST 2
- 2. OPTIONAL PARTS 23

SERVICE MANUAL (OBH589)



MSZ-EF·VEW
 MSZ-EF·VEB
 MSZ-EF·VES



NOTE:
 RoHS compliant products have <G> mark on the spec name plate.

Revision A:

• Part numbers of the electronic control P.C. boards have been changed.

Revision B:

• MSZ-EF18VEW - [E1], MSZ-EF18VEB - [E1] and MSZ-EF18VES - [E1] have been added.

Revision C:

• MSZ-EF18/22/25/35/42/50VE2W - [E1], [ER1], MSZ-EF18/22/25/35/42/50VE2B - [E1], [ER1] and MSZ-EF18/22/25/35/42/50VE2S - [E1], [ER1] have been added.

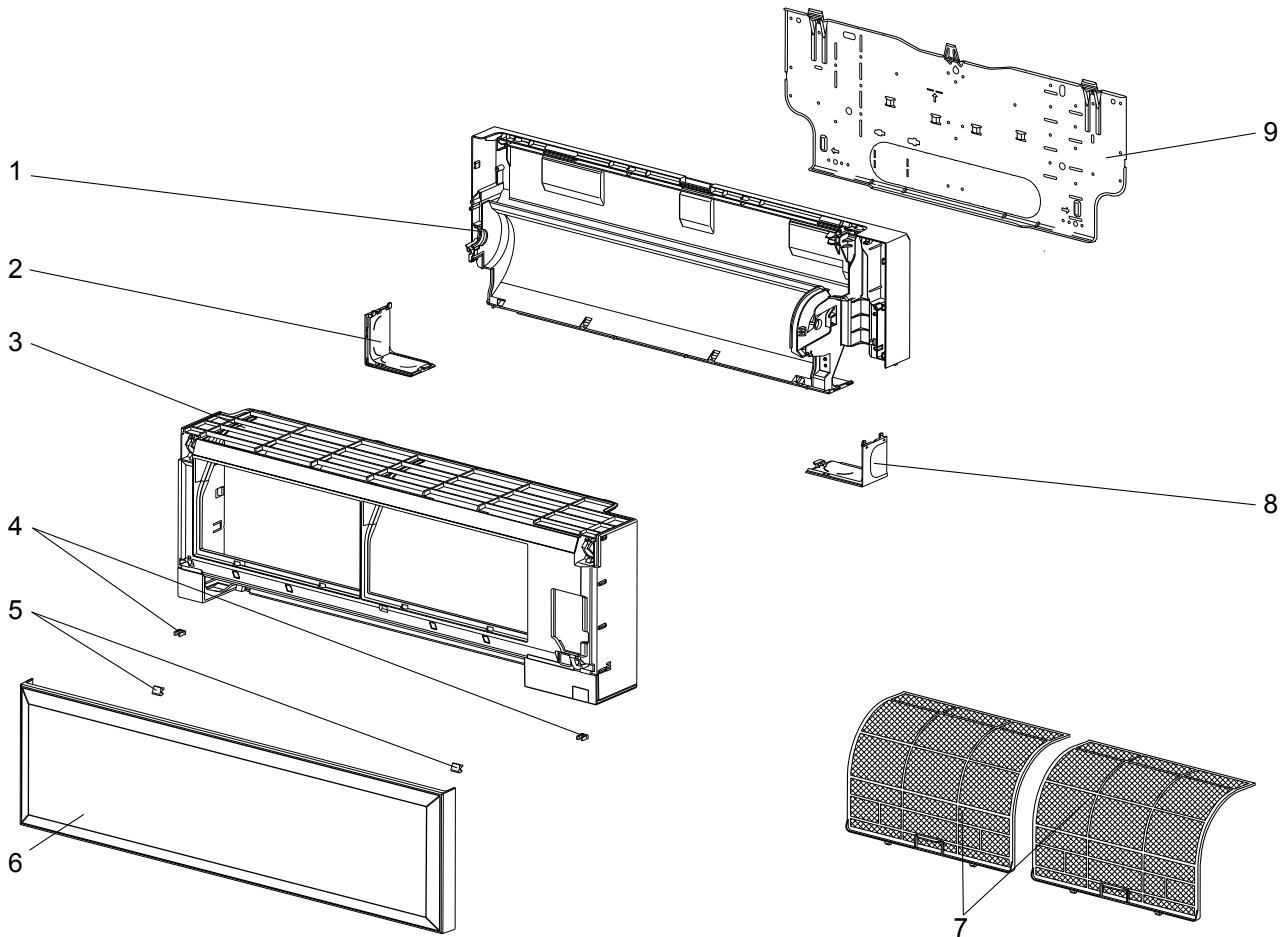
Revision D:

• MSZ-EF18/22/25/35/42/50VE3W - [E1], MSZ-EF18/22/25/35/42/50VE3B - [E1], MSZ-EF18/22/25/35/42/50VE3S - [E1], MSZ-EF22/25/35/42/50VE3W - [ER1], MSZ-EF22/25/35/42/50VE3B - [ER1] and MSZ-EF22/25/35/42/50VE3S - [ER1] have been added.

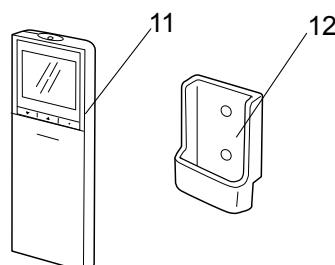
1 RoHS PARTS LIST

MSZ-EF18VEW MSZ-EF22VEW MSZ-EF25VEW MSZ-EF35VEW MSZ-EF42VEW MSZ-EF50VEW
MSZ-EF18VEB MSZ-EF22VEB MSZ-EF25VEB MSZ-EF35VEB MSZ-EF42VEB MSZ-EF50VEB
MSZ-EF18VES MSZ-EF22VES MSZ-EF25VES MSZ-EF35VES MSZ-EF42VES MSZ-EF50VES

1-1. INDOOR UNIT STRUCTURAL PARTS



1-2. ACCESSORY AND REMOTE CONTROLLER



RoHS PARTS LIST

1-1. INDOOR UNIT STRUCTURAL PARTS

Part numbers that is circled is not shown in the illustration.

No.	RoHS	Part No.	Part name	Symbol in Wiring Diagram	Q'ty/unit																		Remarks
					MSZ-EF																		
					18			22			25			35			42			50			
VEW	VEB	VES	VEW	VEB	VES	VEW	VEB	VES	VEW	VEB	VES	VEW	VEB	VES	VEW	VEB	VES	VEW	VEB	VES			
1	G	E12 F95 234	BOX ASSEMBLY		1			1			1			1			1			1			
	G	E12 G21 234			1			1			1			1			1			1			
	G	E12 G26 234				1		1			1			1			1			1			1
2	G	E12 F95 976	CORNER BOX LEFT		1			1			1			1			1			1			
	G	E12 G21 976			1			1			1			1			1			1			
	G	E12 G26 976				1		1			1			1			1			1			1
3	G	E12 F95 000	PANEL ASSEMBLY		1			1			1			1			1			1			Including No. 3,4,5
	G	E12 G21 000			1			1			1			1			1			1			Including No. 3,4,5
	G	E12 G26 000				1		1			1			1			1			1			1 Including No. 3,4,5
4	G	E12 F95 142	CATCH		2	2	2	2	2	2	2	2	2	2	2	2	2	2	2	2	2	2	2 PCS/SET
5	G	E12 F95 067	SCREW CAP		2			2			2			2			2			2			2 PCS/SET
	G	E12 G21 067			2			2			2			2			2			2			2 PCS/SET
	G	E12 G26 067				2		2			2			2			2			2			2 PCS/SET
6	G	E12 F95 010	FRONT PANEL		1			1			1			1			1			1			
	G	E12 G21 010			1			1			1			1			1			1			
	G	E12 G26 010				1		1			1			1			1			1			1
7	G	E12 F95 100	NANO PLATINUM FILTER		2	2	2	2	2	2	2	2	2	2	2	2	2	2	2	2	2	2	1 PC/SET
8	G	E12 F95 975	CORNER BOX RIGHT		1			1			1			1			1			1			
	G	E12 G21 975			1			1			1			1			1			1			
	G	E12 G26 975				1		1			1			1			1			1			1
9	G	E12 F95 970	INSTALLATION PLATE		1	1	1	1	1	1	1	1	1	1	1	1	1	1	1	1	1	1	
⑩	G	—	SOFT DRY CLOTH		1			1			1			1			1			1			MAC-1001CL-E

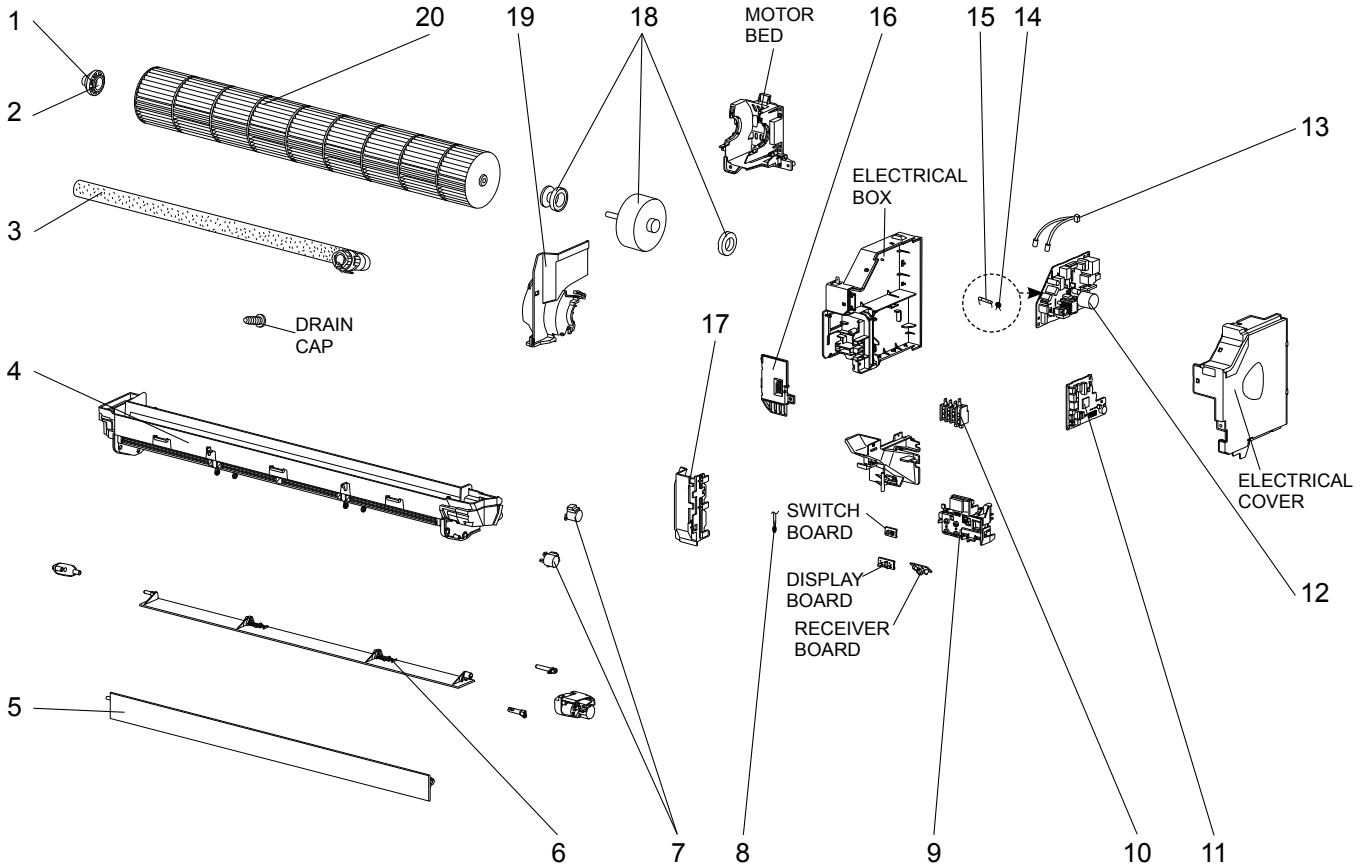
1-2. ACCESSORY AND REMOTE CONTROLLER

No.	RoHS	Part No.	Part name	Symbol in Wiring Diagram	Q'ty/unit																		Remarks
					MSZ-EF																		
					18			22			25			35			42			50			
VEW	VEB	VES	VEW	VEB	VES	VEW	VEB	VES	VEW	VEB	VES	VEW	VEB	VES	VEW	VEB	VES	VEW	VEB	VES			
11	G	E12 F95 426	REMOTE CONTROLLER		1	1	1	1	1	1	1	1	1	1	1	1	1	1	1	1	1	1	SG11D
12	G	E12 F28 083	REMOTE CONTROLLER HOLDER		1	1	1	1	1	1	1	1	1	1	1	1	1	1	1	1	1	1	

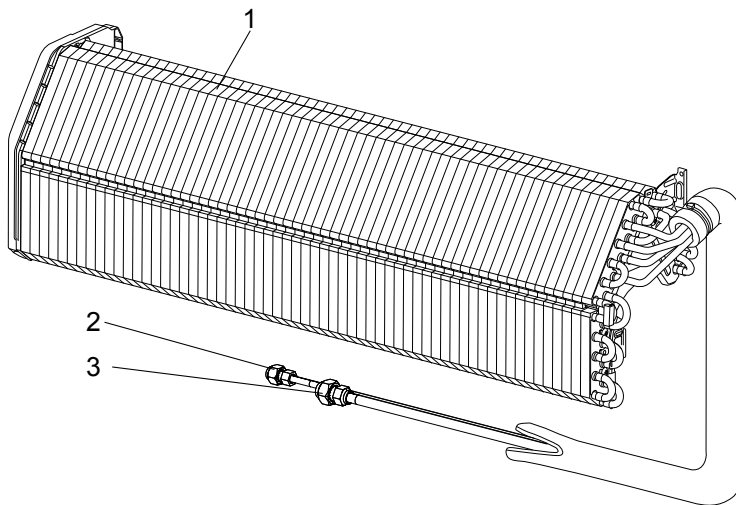
RoHS PARTS LIST

MSZ-EF18VEW MSZ-EF22VEW MSZ-EF25VEW MSZ-EF35VEW MSZ-EF42VEW MSZ-EF50VEW
 MSZ-EF18VEB MSZ-EF22VEB MSZ-EF25VEB MSZ-EF35VEB MSZ-EF42VEB MSZ-EF50VEB
 MSZ-EF18VES MSZ-EF22VES MSZ-EF25VES MSZ-EF35VES MSZ-EF42VES MSZ-EF50VES

1-3. INDOOR UNIT ELECTRICAL PARTS AND FUNCTIONAL PARTS



1-4. INDOOR UNIT HEAT EXCHANGER



RoHS PARTS LIST

1-3. INDOOR UNIT ELECTRICAL PARTS AND FUNCTIONAL PARTS

No.	RoHS	Part No.	Part name	Symbol in Wiring Diagram	Q'ty/unit																		Remarks
					MSZ-EF																		
					18			22			25			35			42			50			
VEW	VEB	VES	VEW	VEB	VES	VEW	VEB	VES	VEW	VEB	VES	VEW	VEB	VES	VEW	VEB	VES						
-E1	-E1	-E1	-E1	-E1	-E1	-E1	-E1	-E1	-E1	-E1	-E1	-E1	-E1	-E1	-E1	-E1	-E1						
1	G	E12 751 509	BEARING MOUNT		1	1	1	1	1	1	1	1	1	1	1	1	1	1	1				
2	G	E12 001 504	SLEEVE BEARING		1	1	1	1	1	1	1	1	1	1	1	1	1	1	1				
3	G	E12 897 702	DRAIN HOSE		1	1	1	1	1	1	1	1	1	1	1	1	1	1	1				
4	G	E12 F95 235	NOZZLE ASSEMBLY		1		1			1			1			1			1				
	G	E12 G21 235			1		1			1			1			1			1				
	G	E12 G26 235				1			1			1			1			1					
5	G	E12 F95 040	VANE UPPER		1		1			1			1			1			1				
	G	E12 G21 040			1		1			1			1			1			1				
	G	E12 G26 040				1			1			1			1			1					
6	G	E12 F95 041	VANE LOWER		1		1			1			1			1			1				
	G	E12 G21 041			1		1			1			1			1			1				
	G	E12 G26 041				1			1			1			1			1					
7	G	E12 A89 303	VANE MOTOR	MV	2	2	2	2	2	2	2	2	2	2	2	2	2	2	2	UP & DOWN, 1 PC/SET			
8	G	E12 F95 308	ROOM TEMPERATURE THERMISTOR	RT11	1	1	1	1	1	1	1	1	1	1	1	1	1	1	1				
9	G	E12 F95 095	DISPLAY P.C. BOARD HOLDER		1	1	1	1	1	1	1	1	1	1	1	1	1	1	1				
10	G	E12 F95 375	TERMINAL BLOCK	TB	1	1	1	1	1	1	1	1	1	1	1	1	1	1	1				
11	G	E12 F95 452	ELECTRONIC CONTROL P.C. BOARD ※1		1	1	1	1	1	1													
	G	E12 G22 452							1	1	1												
	G	E12 G23 452										1	1	1									
	G	E12 G24 452													1	1	1						
	G	E12 G25 452																1	1	1			
12	G	E12 F98 440	POWER P.C. BOARD		1	1	1	1	1	1	1	1	1	1	1	1	1	1	1				
13	G	E12 F95 307	INDOOR COIL THERMISTOR	RT12,RT13	1	1	1	1	1	1	1	1	1	1	1	1	1	1	1				
14	G	E12 B75 385	VARISTOR	NR11	1	1	1	1	1	1	1	1	1	1	1	1	1	1	1				
15	G	E12 A49 382	FUSE	F11	1	1	1	1	1	1	1	1	1	1	1	1	1	1	1	T3.15AL250V			
16	G	E12 F95 784	V.A. CLAMP		1	1	1	1	1	1	1	1	1	1	1	1	1	1	1				
17	G	E12 F95 541	WATER CUT		1	1	1	1	1	1	1	1	1	1	1	1	1	1	1				
18	G	E12 F95 300	INDOOR FAN MOTOR ※2	MF	1	1	1	1	1	1	1	1	1	1	1	1	1	1	1	RC0J40-□□			
19	G	E12 F95 333	MOTOR BAND		1	1	1	1	1	1	1	1	1	1	1	1	1	1	1				
20	G	E12 F95 302	LINE FLOW FAN		1	1	1	1	1	1	1	1	1	1	1	1	1	1	1				

※1 Including RECEIVER BOARD, DISPLAY BOARD and SWITCH BOARD.

※2 Including FAN MOTOR RUBBER MOUNT (2 PCS/SET)

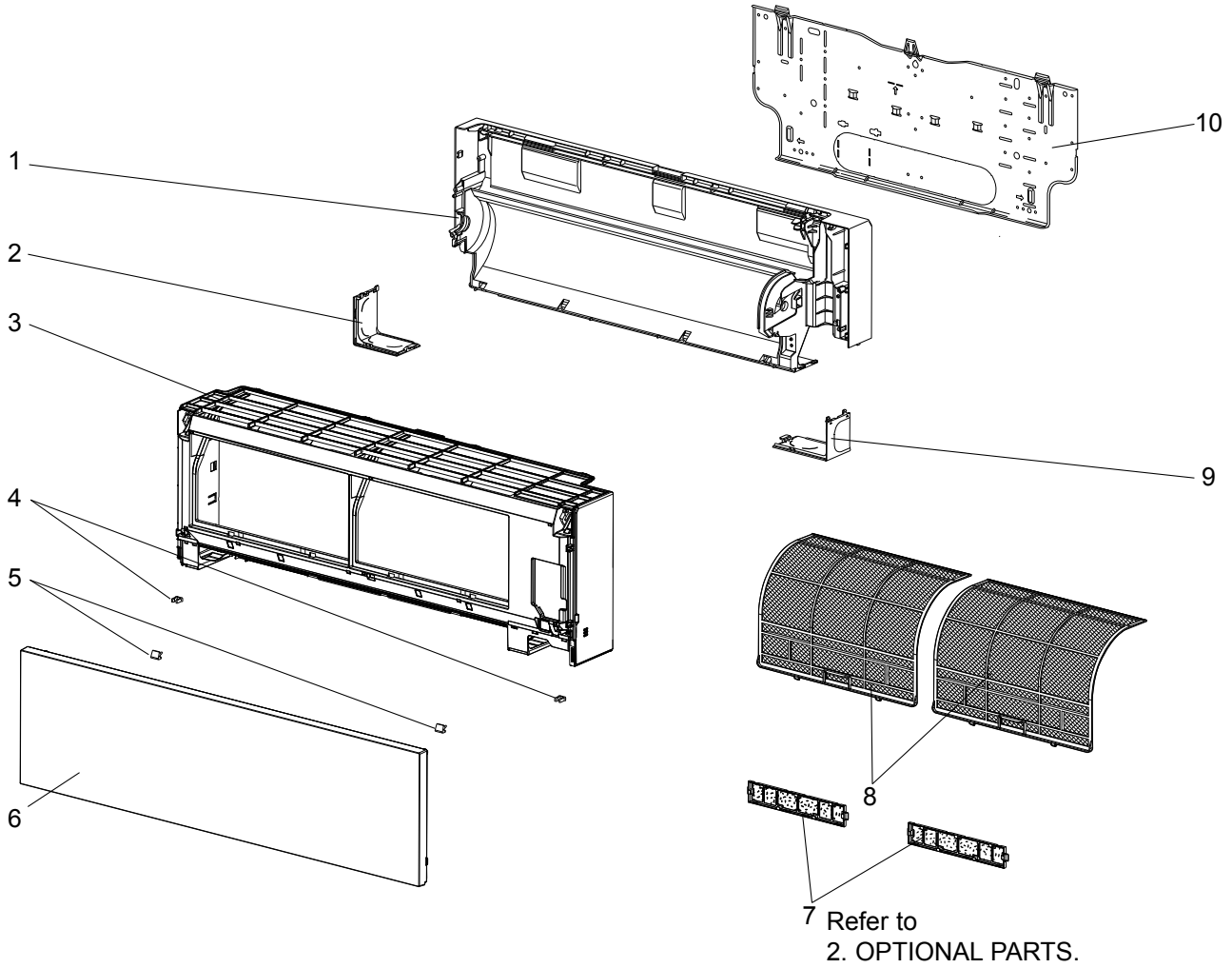
1-4. INDOOR UNIT HEAT EXCHANGER

No.	RoHS	Part No.	Part name	Symbol in Wiring Diagram	Q'ty/unit																		Remarks
					MSZ-EF																		
					18			22			25			35			42			50			
VEW	VEB	VES	VEW	VEB	VES	VEW	VEB	VES	VEW	VEB	VES	VEW	VEB	VES	VEW	VEB	VES						
-E1	-E1	-E1	-E1	-E1	-E1	-E1	-E1	-E1	-E1	-E1	-E1	-E1	-E1	-E1	-E1	-E1	-E1						
1	G	E12 F95 620	INDOOR HEAT EXCHANGER		1	1	1	1	1	1	1	1	1	1	1	1							
	G	E12 F99 620															1	1	1				
2	G	E12 151 667	UNION (LIQUID)		1	1	1	1	1	1	1	1	1	1	1	1	1	1	1	ø6.35			
3	G	E12 815 666	UNION (GAS)		1	1	1	1	1	1	1	1	1	1	1	1							
	G	E12 155 666															1	1	1	ø12.7			

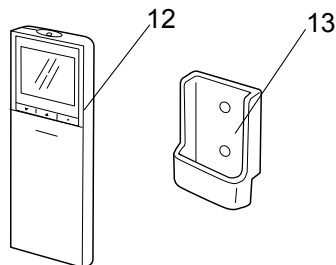
RoHS PARTS LIST

MSZ-EF18VE2W -E1 MSZ-EF22VE2W -E1 MSZ-EF25VE2W -E1
 MSZ-EF18VE2B -E1 MSZ-EF22VE2B -E1 MSZ-EF25VE2B -E1
 MSZ-EF18VE2S -E1 MSZ-EF22VE2S -E1 MSZ-EF25VE2S -E1
 MSZ-EF35VE2W -E1 MSZ-EF42VE2W -E1 MSZ-EF50VE2W -E1
 MSZ-EF35VE2B -E1 MSZ-EF42VE2B -E1 MSZ-EF50VE2B -E1
 MSZ-EF35VE2S -E1 MSZ-EF42VE2S -E1 MSZ-EF50VE2S -E1

1-5. INDOOR UNIT STRUCTURAL PARTS



1-6. ACCESSORY AND REMOTE CONTROLLER



RoHS PARTS LIST

1-5. INDOOR UNIT STRUCTURAL PARTS

Part numbers that is circled is not shown in the illustration.

No.	RoHS	Part No.	Part name	Symbol in Wiring Diagram	Q'ty/unit															Remarks
					MSZ-EF															
					18			22			25			35			42			
VE2W	VE2B	VE2S	VE2W	VE2B	VE2S	VE2W	VE2B	VE2S	VE2W	VE2B	VE2S	VE2W	VE2B	VE2S	VE2W	VE2B	VE2S			
1	G	E12 F95 234	BOX ASSEMBLY		1			1			1			1			1			
	G	E12 G21 234			1			1			1			1			1			
	G	E12 G26 234				1			1			1			1			1		1
2	G	E12 F95 976	CORNER BOX LEFT		1			1			1			1			1			
	G	E12 G21 976			1			1			1			1			1			
	G	E12 G26 976				1			1			1			1			1		1
3	G	E12 M42 000	PANEL ASSEMBLY		1			1			1			1			1			Including No. 3,4,5
	G	E12 M38 000			1			1			1			1			1			Including No. 3,4,5
	G	E12 M40 000				1			1			1			1			1		Including No. 3,4,5
4	G	E12 F95 142	CATCH		2	2	2	2	2	2	2	2	2	2	2	2	2	2	2	2
5	G	E12 F95 067	SCREW CAP		2			2			2			2			2			2
	G	E12 G21 067			2			2			2			2			2			2
	G	E12 G26 067				2			2			2			2			2		2
6	G	E12 M42 010	FRONT PANEL		1			1			1			1			1			
	G	E12 M38 010			1			1			1			1			1			
	G	E12 M40 010				1			1			1			1			1		1
7	G	—	AIR CLEANING FILTER		2	2	2	2	2	2	2	2	2	2	2	2	2	2	2	2
8	G	E12 F95 100	NANO PLATINUM FILTER		2	2	2	2	2	2	2	2	2	2	2	2	2	2	2	2
9	G	E12 F95 975	CORNER BOX RIGHT		1			1			1			1			1			
	G	E12 G21 975			1			1			1			1			1			
	G	E12 G26 975				1			1			1			1			1		1
10	G	E12 F95 970	INSTALLATION PLATE		1	1	1	1	1	1	1	1	1	1	1	1	1	1	1	1
⑪	G	—	SOFT DRY CLOTH		1			1			1			1			1			MAC-1001CL-E

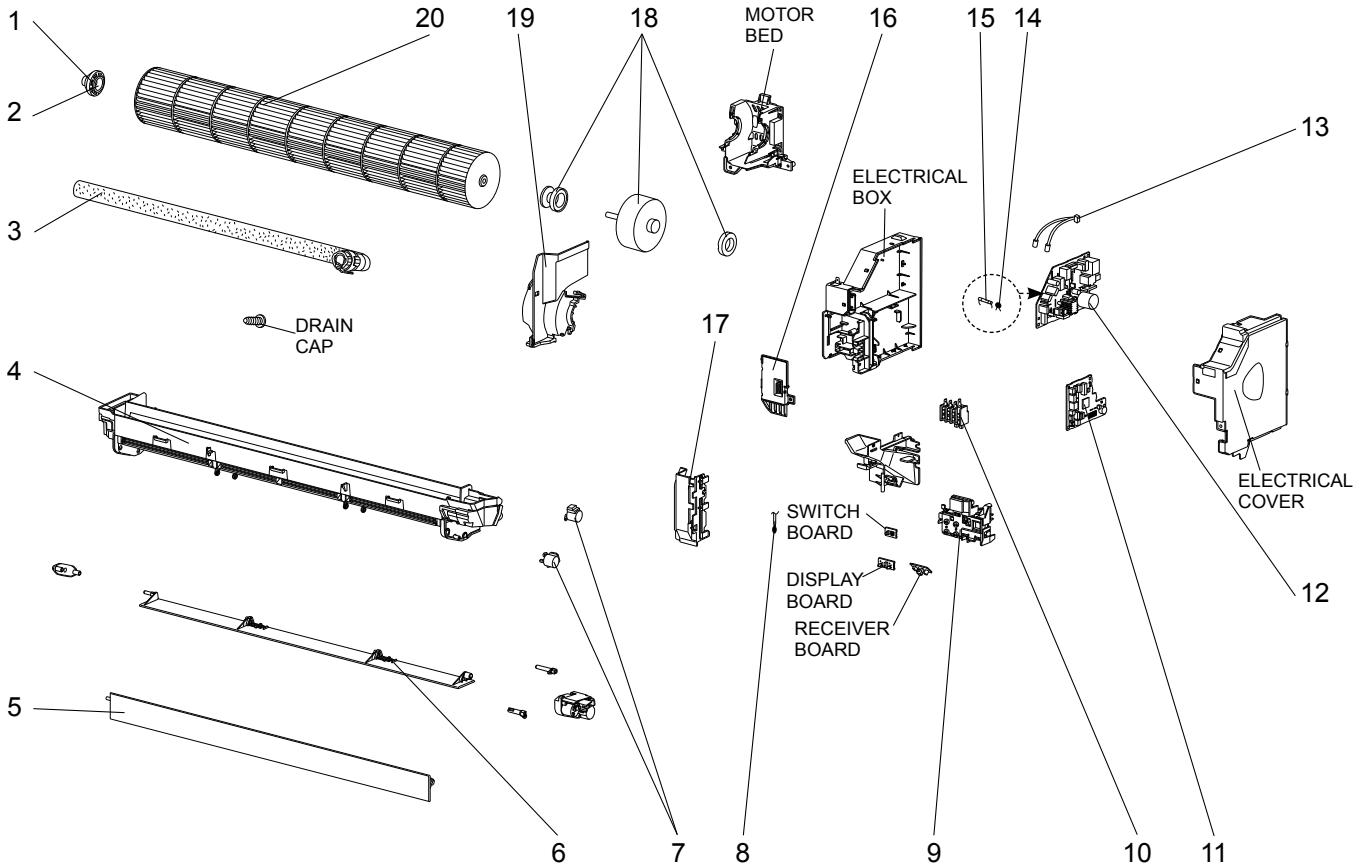
1-6. ACCESSORY AND REMOTE CONTROLLER

No.	RoHS	Part No.	Part name	Symbol in Wiring Diagram	Q'ty/unit															Remarks
					MSZ-EF															
					18			22			25			35			42			
VE2W	VE2B	VE2S	VE2W	VE2B	VE2S	VE2W	VE2B	VE2S	VE2W	VE2B	VE2S	VE2W	VE2B	VE2S	VE2W	VE2B	VE2S			
12	G	E12 M42 426	REMOTE CONTROLLER		1	1	1	1	1	1	1	1	1	1	1	1	1	1	1	1
13	G	E12 F28 083	REMOTE CONTROLLER HOLDER		1	1	1	1	1	1	1	1	1	1	1	1	1	1	1	1

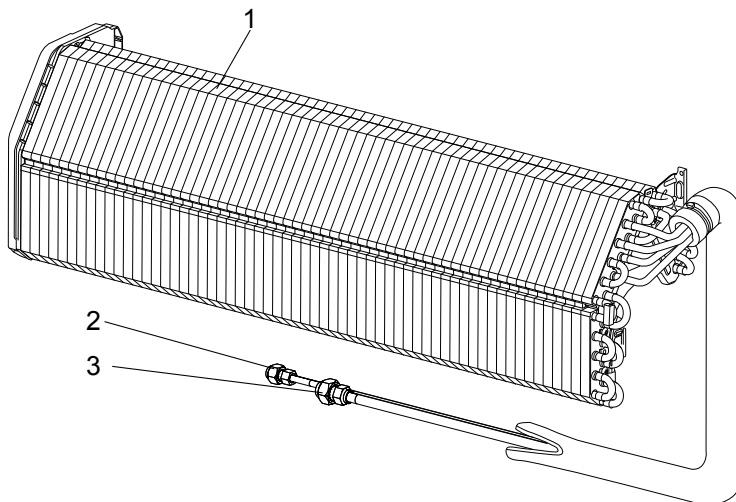
RoHS PARTS LIST

MSZ-EF18VE2W -[E1] **MSZ-EF22VE2W -[E1]** **MSZ-EF25VE2W -[E1]**
MSZ-EF18VE2B -[E1] **MSZ-EF22VE2B -[E1]** **MSZ-EF25VE2B -[E1]**
MSZ-EF18VE2S -[E1] **MSZ-EF22VE2S -[E1]** **MSZ-EF25VE2S -[E1]**
MSZ-EF35VE2W -[E1] **MSZ-EF42VE2W -[E1]** **MSZ-EF50VE2W -[E1]**
MSZ-EF35VE2B -[E1] **MSZ-EF42VE2B -[E1]** **MSZ-EF50VE2B -[E1]**
MSZ-EF35VE2S -[E1] **MSZ-EF42VE2S -[E1]** **MSZ-EF50VE2S -[E1]**

1-7. INDOOR UNIT ELECTRICAL PARTS AND FUNCTIONAL PARTS



1-8. INDOOR UNIT HEAT EXCHANGER



RoHS PARTS LIST

1-7. INDOOR UNIT ELECTRICAL PARTS AND FUNCTIONAL PARTS

No.	RoHS	Part No.	Part name	Symbol in Wiring Diagram	Q'ty/unit																		Remarks
					MSZ-EF																		
					18			22			25			35			42			50			
VE2W	VE2B	VE2S	VE2W	VE2B	VE2S	VE2W	VE2B	VE2S	VE2W	VE2B	VE2S	VE2W	VE2B	VE2S	VE2W	VE2B	VE2S						
-E1	-E1	-E1	-E1	-E1	-E1	-E1	-E1	-E1	-E1	-E1	-E1	-E1	-E1	-E1	-E1	-E1	-E1						
1	G	E12 751 509	BEARING MOUNT		1	1	1	1	1	1	1	1	1	1	1	1	1	1					
2	G	E12 001 504	SLEEVE BEARING		1	1	1	1	1	1	1	1	1	1	1	1	1	1					
3	G	E12 897 702	DRAIN HOSE		1	1	1	1	1	1	1	1	1	1	1	1	1	1					
4	G	E12 F95 235	NOZZLE ASSEMBLY		1		1		1		1		1		1		1						
	G	E12 G21 235			1		1		1		1		1		1		1						
	G	E12 G26 235			1		1		1		1		1		1		1						
5	G	E12 F95 040	VANE UPPER		1		1		1		1		1		1		1						
	G	E12 G21 040			1		1		1		1		1		1		1						
	G	E12 G26 040			1		1		1		1		1		1		1						
6	G	E12 F95 041	VANE LOWER		1		1		1		1		1		1		1						
	G	E12 G21 041			1		1		1		1		1		1		1						
	G	E12 G26 041			1		1		1		1		1		1		1						
7	G	E12 A89 303	VANE MOTOR	MV	2	2	2	2	2	2	2	2	2	2	2	2	2	2	UP & DOWN, 1 PC/SET				
8	G	E12 F95 308	ROOM TEMPERATURE THERMISTOR	RT11	1	1	1	1	1	1	1	1	1	1	1	1	1	1					
9	G	E12 F95 095	DISPLAY P.C. BOARD HOLDER		1	1	1	1	1	1	1	1	1	1	1	1	1	1					
10	G	E12 F95 375	TERMINAL BLOCK	TB	1	1	1	1	1	1	1	1	1	1	1	1	1	1					
11	G	E12 K14 452	ELECTRONIC CONTROL P.C. BOARD ※1		1	1	1	1	1	1													
	G	E12 K15 452							1	1	1												
	G	E12 K16 452										1	1	1									
	G	E12 K17 452													1	1	1						
	G	E12 K18 452															1	1	1				
12	G	E12 F98 440	POWER P.C. BOARD		1	1	1	1	1	1	1	1	1	1	1	1	1	1					
13	G	E12 F95 307	INDOOR COIL THERMISTOR	RT12,RT13	1	1	1	1	1	1	1	1	1	1	1	1	1	1					
14	G	E12 B75 385	VARISTOR	NR11	1	1	1	1	1	1	1	1	1	1	1	1	1	1					
15	G	E12 A49 382	FUSE	F11	1	1	1	1	1	1	1	1	1	1	1	1	1	1	T3.15AL250V				
16	G	E12 F95 784	V.A. CLAMP		1	1	1	1	1	1	1	1	1	1	1	1	1	1					
17	G	E12 F95 541	WATER CUT		1	1	1	1	1	1	1	1	1	1	1	1	1	1					
18	G	E12 F95 300	INDOOR FAN MOTOR ※2	MF	1	1	1	1	1	1	1	1	1	1	1	1	1	1	RC0J40-□□				
19	G	E12 F95 333	MOTOR BAND		1	1	1	1	1	1	1	1	1	1	1	1	1	1					
20	G	E12 F95 302	LINE FLOW FAN		1	1	1	1	1	1	1	1	1	1	1	1	1	1					

※1 Including RECEIVER BOARD, DISPLAY BOARD and SWITCH BOARD.

※2 Including FAN MOTOR RUBBER MOUNT (2 PCS/SET)

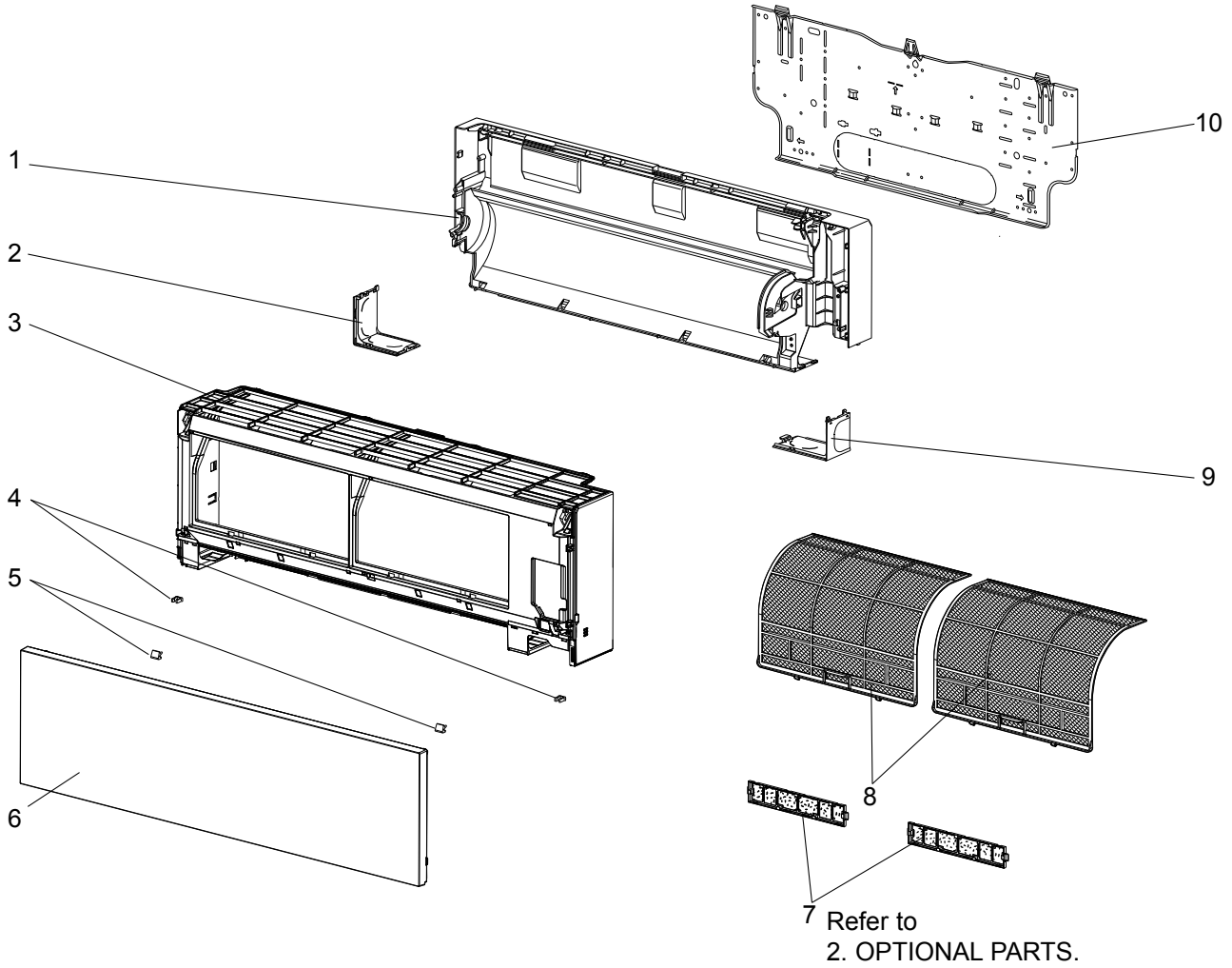
1-8. INDOOR UNIT HEAT EXCHANGER

No.	RoHS	Part No.	Part name	Symbol in Wiring Diagram	Q'ty/unit																		Remarks
					MSZ-EF																		
					18			22			25			35			42			50			
VE2W	VE2B	VE2S	VE2W	VE2B	VE2S	VE2W	VE2B	VE2S	VE2W	VE2B	VE2S	VE2W	VE2B	VE2S	VE2W	VE2B	VE2S						
-E1	-E1	-E1	-E1	-E1	-E1	-E1	-E1	-E1	-E1	-E1	-E1	-E1	-E1	-E1	-E1	-E1	-E1						
1	G	E12 F95 620	INDOOR HEAT EXCHANGER		1	1	1	1	1	1	1	1	1	1	1	1	1	1					
	G	E12 F99 620															1	1	1				
2	G	E12 151 667	UNION (LIQUID)		1	1	1	1	1	1	1	1	1	1	1	1	1	1	ø6.35				
3	G	E12 815 666	UNION (GAS)		1	1	1	1	1	1	1	1	1	1	1	1	1	1	ø9.52				
	G	E12 155 666															1	1	1	ø12.7			

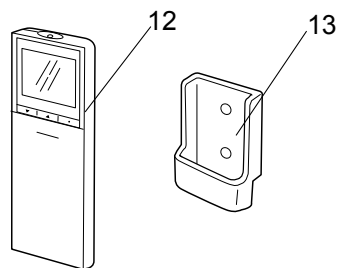
RoHS PARTS LIST

MSZ-EF18VE2W -ER1 MSZ-EF22VE2W -ER1 MSZ-EF25VE2W -ER1
 MSZ-EF18VE2B -ER1 MSZ-EF22VE2B -ER1 MSZ-EF25VE2B -ER1
 MSZ-EF18VE2S -ER1 MSZ-EF22VE2S -ER1 MSZ-EF25VE2S -ER1
 MSZ-EF35VE2W -ER1 MSZ-EF42VE2W -ER1 MSZ-EF50VE2W -ER1
 MSZ-EF35VE2B -ER1 MSZ-EF42VE2B -ER1 MSZ-EF50VE2B -ER1
 MSZ-EF35VE2S -ER1 MSZ-EF42VE2S -ER1 MSZ-EF50VE2S -ER1

1-9. INDOOR UNIT STRUCTURAL PARTS



1-10. ACCESSORY AND REMOTE CONTROLLER



RoHS PARTS LIST

1-9. INDOOR UNIT STRUCTURAL PARTS

Part numbers that is circled is not shown in the illustration.

No.	RoHS	Part No.	Part name	Symbol in Wiring Diagram	Q'ty/unit																		Remarks
					MSZ-EF																		
					18			22			25			35			42			50			
VE2W	VE2B	VE2S	VE2W	VE2B	VE2S	VE2W	VE2B	VE2S	VE2W	VE2B	VE2S	VE2W	VE2B	VE2S	VE2W	VE2B	VE2S						
-ER1																							
1	G	E12 F95 234	BOX ASSEMBLY		1		1		1		1		1		1		1						
	G	E12 G21 234			1		1		1		1		1		1		1						
	G	E12 G26 234				1		1		1		1		1		1		1					
2	G	E12 F95 976	CORNER BOX LEFT		1		1		1		1		1		1		1						
	G	E12 G21 976			1		1		1		1		1		1		1						
	G	E12 G26 976				1		1		1		1		1		1		1					
3	G	E12 M42 000	PANEL ASSEMBLY		1		1		1		1		1		1		1		Including No. 3,4,5				
	G	E12 M38 000			1		1		1		1		1		1		1		Including No. 3,4,5				
	G	E12 M40 000				1		1		1		1		1		1		1		Including No. 3,4,5			
4	G	E12 F95 142	CATCH		2	2	2	2	2	2	2	2	2	2	2	2	2	2	2	2 PCS/SET			
5	G	E12 F95 067	SCREW CAP		2		2		2		2		2		2		2		2 PCS/SET				
	G	E12 G21 067			2		2		2		2		2		2		2		2 PCS/SET				
	G	E12 G26 067				2		2		2		2		2		2		2		2 PCS/SET			
6	G	E12 M42 010	FRONT PANEL		1		1		1		1		1		1		1						
	G	E12 M38 010			1		1		1		1		1		1		1						
	G	E12 M40 010				1		1		1		1		1		1		1					
7	G	—	AIR CLEANING FILTER		2	2	2	2	2	2	2	2	2	2	2	2	2	2	2	1 PC/SET			
8	G	E12 F95 100	NANO PLATINUM FILTER		2	2	2	2	2	2	2	2	2	2	2	2	2	2	2	1 PC/SET			
9	G	E12 F95 975	CORNER BOX RIGHT		1		1		1		1		1		1		1						
	G	E12 G21 975			1		1		1		1		1		1		1						
	G	E12 G26 975				1		1		1		1		1		1		1					
10	G	E12 F95 970	INSTALLATION PLATE		1	1	1	1	1	1	1	1	1	1	1	1	1	1	1				
⑪	G	—	SOFT DRY CLOTH		1		1		1		1		1		1		1		MAC-1001CL-E				

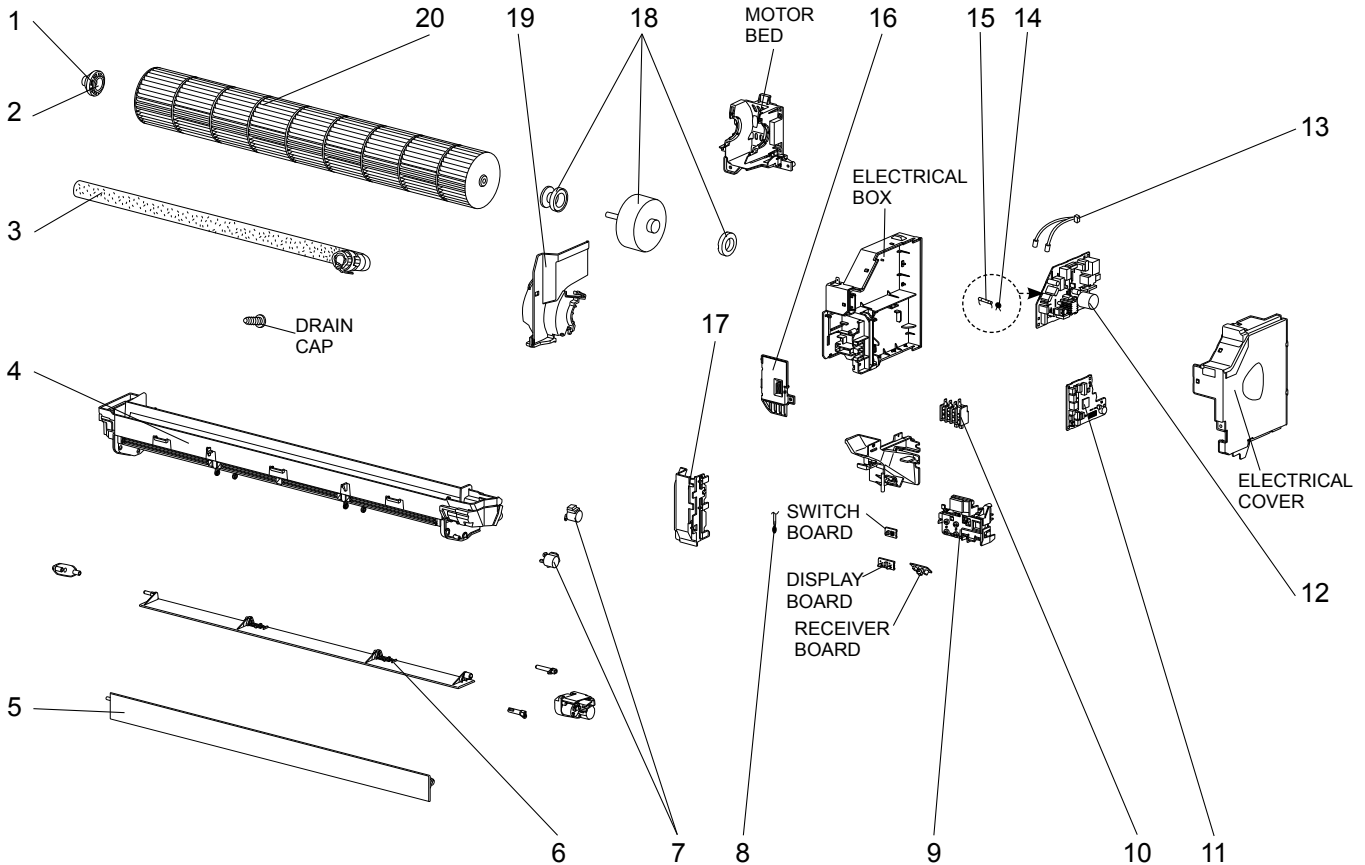
1-10. ACCESSORY AND REMOTE CONTROLLER

No.	RoHS	Part No.	Part name	Symbol in Wiring Diagram	Q'ty/unit																		Remarks
					MSZ-EF																		
					18			22			25			35			42			50			
VE2W	VE2B	VE2S	VE2W	VE2B	VE2S	VE2W	VE2B	VE2S	VE2W	VE2B	VE2S	VE2W	VE2B	VE2S	VE2W	VE2B	VE2S						
-ER1																							
12	G	E12 M42 426	REMOTE CONTROLLER		1	1	1	1	1	1	1	1	1	1	1	1	1	1	1	SG14D			
13	G	E12 F28 083	REMOTE CONTROLLER HOLDER		1	1	1	1	1	1	1	1	1	1	1	1	1	1	1				

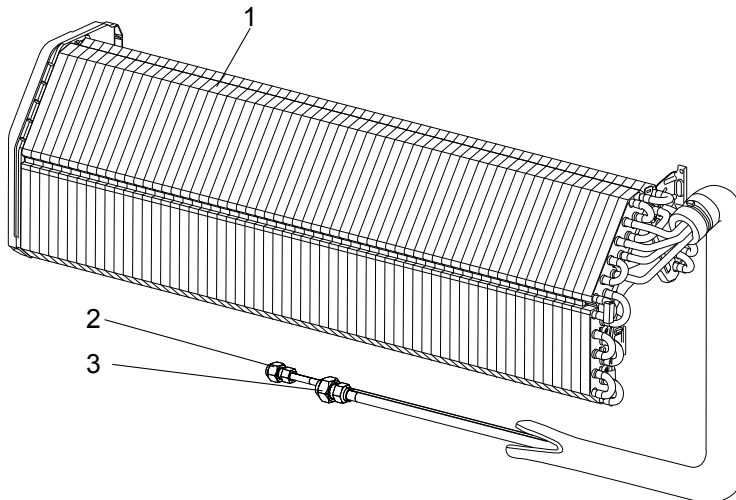
RoHS PARTS LIST

MSZ-EF18VE2W -[ER1] MSZ-EF22VE2W -[ER1] MSZ-EF25VE2W -[ER1]
MSZ-EF18VE2B -[ER1] MSZ-EF22VE2B -[ER1] MSZ-EF25VE2B -[ER1]
MSZ-EF18VE2S -[ER1] MSZ-EF22VE2S -[ER1] MSZ-EF25VE2S -[ER1]
MSZ-EF35VE2W -[ER1] MSZ-EF42VE2W -[ER1] MSZ-EF50VE2W -[ER1]
MSZ-EF35VE2B -[ER1] MSZ-EF42VE2B -[ER1] MSZ-EF50VE2B -[ER1]
MSZ-EF35VE2S -[ER1] MSZ-EF42VE2S -[ER1] MSZ-EF50VE2S -[ER1]

1-11. INDOOR UNIT ELECTRICAL PARTS AND FUNCTIONAL PARTS



1-12. INDOOR UNIT HEAT EXCHANGER



RoHS PARTS LIST

1-11. INDOOR UNIT ELECTRICAL PARTS AND FUNCTIONAL PARTS

No.	RoHS	Part No.	Part name	Symbol in Wiring Diagram	Q'ty/unit																		Remarks
					MSZ-EF																		
					18			22			25			35			42			50			
					VE2W	VE2B	VE2S	VE2W	VE2B	VE2S	VE2W	VE2B	VE2S	VE2W	VE2B	VE2S	VE2W	VE2B	VE2S	VE2W	VE2B	VE2S	
1	G	E12 751 509	BEARING MOUNT		1	1	1	1	1	1	1	1	1	1	1	1	1	1	1				
2	G	E12 001 504	SLEEVE BEARING		1	1	1	1	1	1	1	1	1	1	1	1	1	1	1				
3	G	E12 897 702	DRAIN HOSE		1	1	1	1	1	1	1	1	1	1	1	1	1	1	1				
4	G	E12 F95 235	NOZZLE ASSEMBLY		1		1		1		1		1		1		1						
	G	E12 G21 235			1		1		1		1		1		1		1						
	G	E12 G26 235			1		1		1		1		1		1		1						
5	G	E12 F95 040	VANE UPPER		1		1		1		1		1		1		1						
	G	E12 G21 040			1		1		1		1		1		1		1						
	G	E12 G26 040			1		1		1		1		1		1		1						
6	G	E12 F95 041	VANE LOWER		1		1		1		1		1		1		1						
	G	E12 G21 041			1		1		1		1		1		1		1						
	G	E12 G26 041			1		1		1		1		1		1		1						
7	G	E12 A89 303	VANE MOTOR	MV	2	2	2	2	2	2	2	2	2	2	2	2	2	2	UP & DOWN, 1 PC/SET				
8	G	E12 F95 308	ROOM TEMPERATURE THERMISTOR	RT11	1	1	1	1	1	1	1	1	1	1	1	1	1	1					
9	G	E12 F95 095	DISPLAY P.C. BOARD HOLDER		1	1	1	1	1	1	1	1	1	1	1	1	1	1					
10	G	E12 F95 375	TERMINAL BLOCK	TB	1	1	1	1	1	1	1	1	1	1	1	1	1	1					
11	G	E12 K14 452	ELECTRONIC CONTROL P.C. BOARD ※1		1	1	1	1	1	1													
	G	E12 K15 452						1	1	1													
	G	E12 K16 452									1	1	1										
	G	E12 K17 452												1	1	1							
	G	E12 K18 452															1	1	1				
12	G	E12 F98 440	POWER P.C. BOARD		1	1	1	1	1	1	1	1	1	1	1	1	1	1					
13	G	E12 F95 307	INDOOR COIL THERMISTOR	RT12,RT13	1	1	1	1	1	1	1	1	1	1	1	1	1	1					
14	G	E12 B75 385	VARISTOR	NR11	1	1	1	1	1	1	1	1	1	1	1	1	1	1					
15	G	E12 A49 382	FUSE	F11	1	1	1	1	1	1	1	1	1	1	1	1	1	1	T3.15AL250V				
16	G	E12 F95 784	V.A. CLAMP		1	1	1	1	1	1	1	1	1	1	1	1	1	1					
17	G	E12 F95 541	WATER CUT		1	1	1	1	1	1	1	1	1	1	1	1	1	1					
18	G	E12 F95 300	INDOOR FAN MOTOR ※2	MF	1	1	1	1	1	1	1	1	1	1	1	1	1	1	RC0J40-□□				
19	G	E12 F95 333	MOTOR BAND		1	1	1	1	1	1	1	1	1	1	1	1	1	1					
20	G	E12 F95 302	LINE FLOW FAN		1	1	1	1	1	1	1	1	1	1	1	1	1	1					

※1 Including RECEIVER BOARD, DISPLAY BOARD and SWITCH BOARD.

※2 Including FAN MOTOR RUBBER MOUNT (2 PCS/SET)

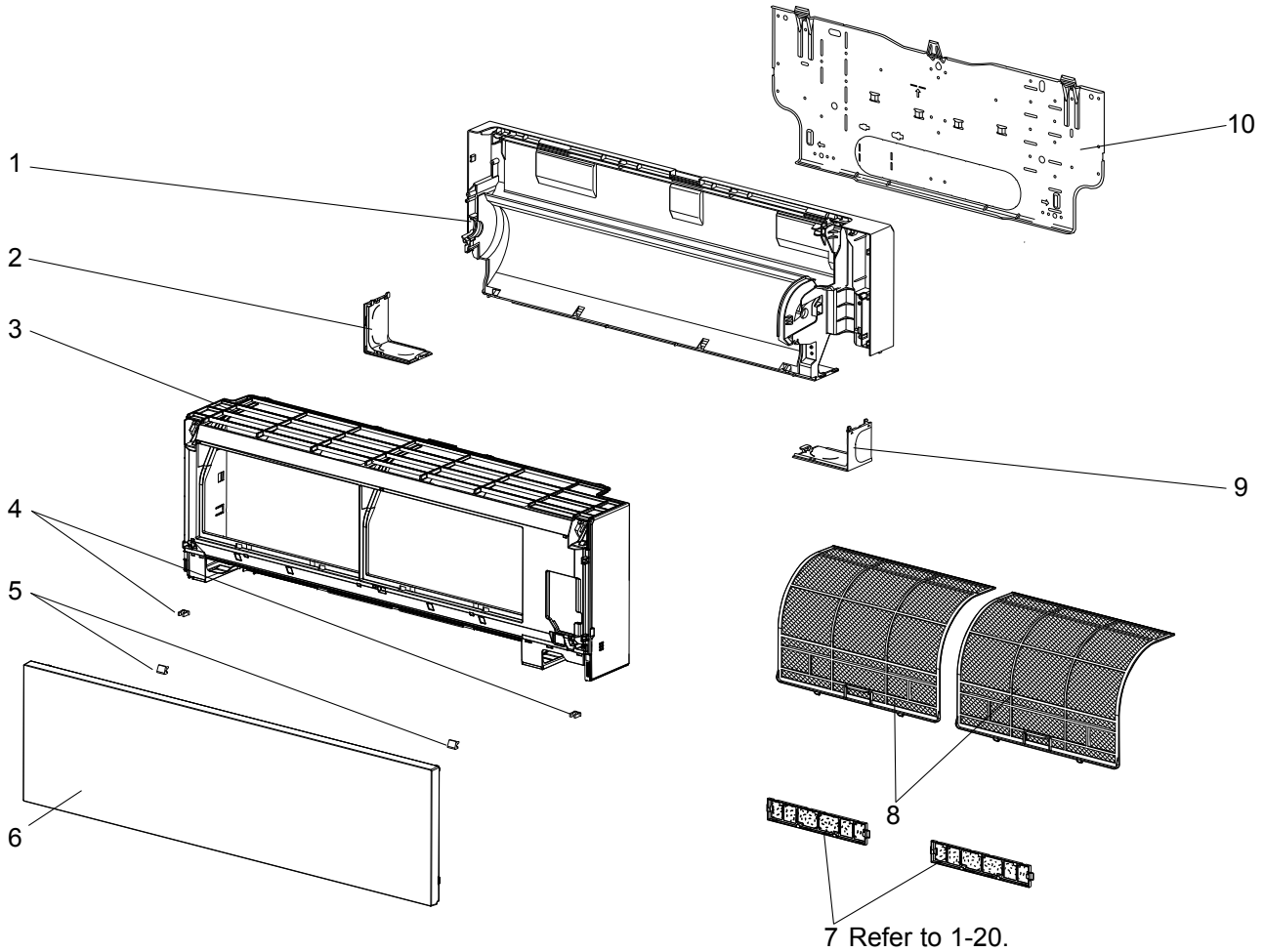
1-12. INDOOR UNIT HEAT EXCHANGER

No.	RoHS	Part No.	Part name	Symbol in Wiring Diagram	Q'ty/unit																		Remarks
					MSZ-EF																		
					18			22			25			35			42			50			
					VE2W	VE2B	VE2S	VE2W	VE2B	VE2S	VE2W	VE2B	VE2S	VE2W	VE2B	VE2S	VE2W	VE2B	VE2S	VE2W	VE2B	VE2S	
1	G	E12 F95 620	INDOOR HEAT EXCHANGER		1	1	1	1	1	1	1	1	1	1	1	1	1	1					
	G	E12 F99 620																1	1	1			
2	G	E12 151 667	UNION (LIQUID)		1	1	1	1	1	1	1	1	1	1	1	1	1	1	ø6.35				
3	G	E12 815 666	UNION (GAS)		1	1	1	1	1	1	1	1	1	1	1	1	1	1	ø9.52				
	G	E12 155 666																1	1	1	ø12.7		

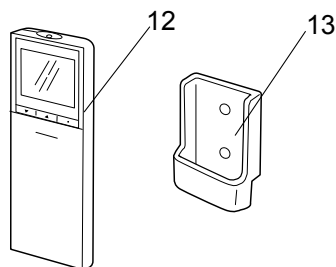
RoHS PARTS LIST

MSZ-EF18VE3W -E1 MSZ-EF22VE3W -E1 MSZ-EF25VE3W -E1
 MSZ-EF18VE3B -E1 MSZ-EF22VE3B -E1 MSZ-EF25VE3B -E1
 MSZ-EF18VE3S -E1 MSZ-EF22VE3S -E1 MSZ-EF25VE3S -E1
 MSZ-EF35VE3W -E1 MSZ-EF42VE3W -E1 MSZ-EF50VE3W -E1
 MSZ-EF35VE3B -E1 MSZ-EF42VE3B -E1 MSZ-EF50VE3B -E1
 MSZ-EF35VE3S -E1 MSZ-EF42VE3S -E1 MSZ-EF50VE3S -E1

1-12. INDOOR UNIT STRUCTURAL PARTS



1-13. ACCESSORY AND REMOTE CONTROLLER



RoHS PARTS LIST

1-12. INDOOR UNIT STRUCTURAL PARTS

Part numbers that is circled is not shown in the illustration.

No.	RoHS	Part No.	Part name	Symbol in Wiring Diagram	Q'ty/unit															Remarks	
					MSZ-EF																
					18			22			25			35			42				50
VE3W	VE3B	VE3S	VE3W	VE3B	VE3S	VE3W	VE3B	VE3S	VE3W	VE3B	VE3S	VE3W	VE3B	VE3S	VE3W	VE3B	VE3S				
1	G	E12 F95 234	BOX ASSEMBLY		1			1			1			1			1				
	G	E12 G21 234			1			1			1			1			1				
	G	E12 G26 234				1			1			1			1			1			
2	G	E12 F95 976	CORNER BOX LEFT		1			1			1			1			1				
	G	E12 G21 976			1			1			1			1			1				
	G	E12 G26 976				1			1			1			1			1			
3	G	E12 W14 000	PANEL ASSEMBLY		1			1			1			1			1			Including No. 3,4,5	
	G	E12 W26 000			1			1			1			1			1			Including No. 3,4,5	
	G	E12 W20 000				1			1			1			1			1			Including No. 3,4,5
4	G	E12 F95 142	CATCH		2	2	2	2	2	2	2	2	2	2	2	2	2	2	2	2	2 PCS/SET
5	G	E12 F95 067	SCREW CAP		2			2			2			2			2			2 PCS/SET	
	G	E12 G21 067			2			2			2			2			2			2 PCS/SET	
	G	E12 G26 067				2			2			2			2			2			2 PCS/SET
6	G	E12 T21 010	FRONT PANEL		1			1			1			1			1				
	G	E12 T25 010			1			1			1			1			1				
	G	E12 T29 010				1			1			1			1			1			
7	G	—	AIR CLEANING FILTER (SILVER-IONIZED AIR PURIFIER FILTER)		2	2	2	2	2	2	2	2	2	2	2	2	2	2	2	2	1 PC/SET
8	G	E12 W14 100	AIR FILTER (AIR PURIFYING FILTER)		2	2	2	2	2	2	2	2	2	2	2	2	2	2	2	2	1 PC/SET
9	G	E12 F95 975	CORNER BOX RIGHT		1			1			1			1			1				
	G	E12 G21 975			1			1			1			1			1				
	G	E12 G26 975				1			1			1			1			1			
10	G	E12 F95 970	INSTALLATION PLATE		1	1	1	1	1	1	1	1	1	1	1	1	1	1	1	1	
⑪	G	—	SOFT DRY CLOTH		1			1			1			1			1			MAC-1001CL-E	

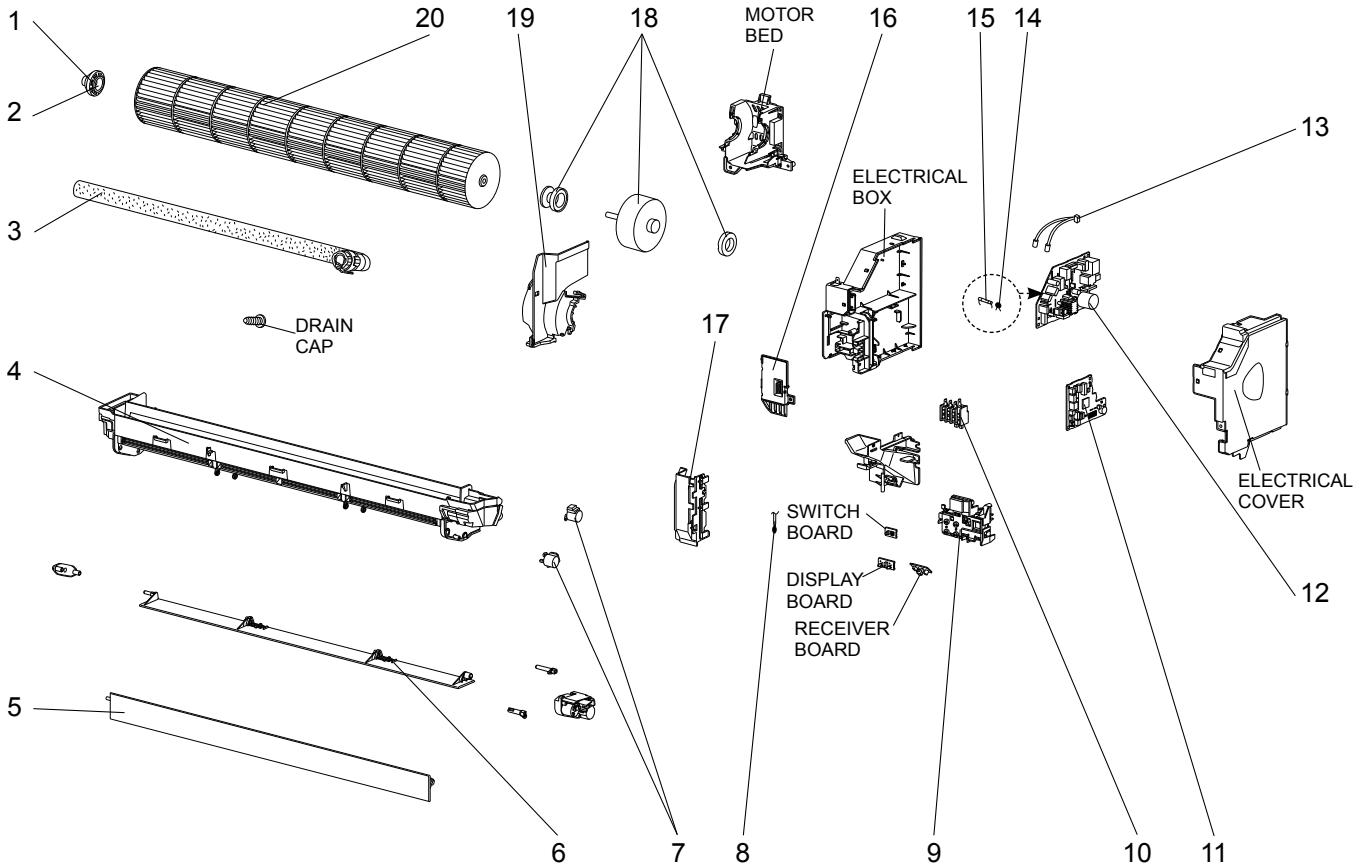
1-13. ACCESSORY AND REMOTE CONTROLLER

No.	RoHS	Part No.	Part name	Symbol in Wiring Diagram	Q'ty/unit															Remarks	
					MSZ-EF																
					18			22			25			35			42				50
VE3W	VE3B	VE3S	VE3W	VE3B	VE3S	VE3W	VE3B	VE3S	VE3W	VE3B	VE3S	VE3W	VE3B	VE3S	VE3W	VE3B	VE3S				
12	G	E12 R80 426	REMOTE CONTROLLER		1	1	1	1	1	1	1	1	1	1	1	1	1	1	1	1	SG15D
13	G	E12 F28 083	REMOTE CONTROLLER HOLDER		1	1	1	1	1	1	1	1	1	1	1	1	1	1	1	1	

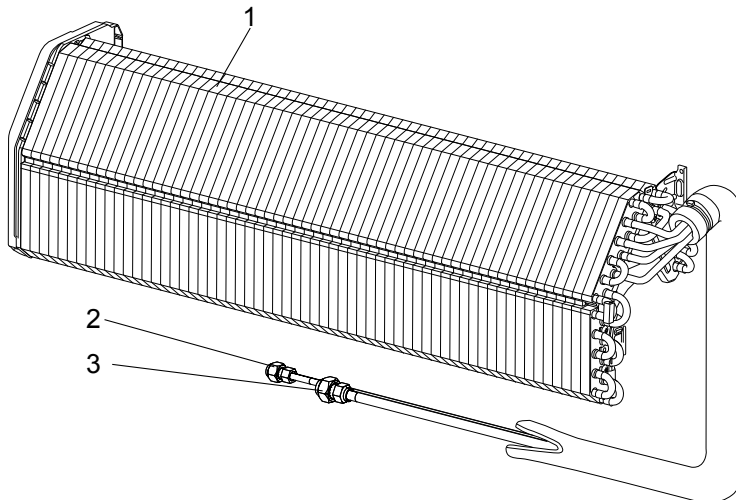
RoHS PARTS LIST

MSZ-EF18VE3W -[E1] **MSZ-EF22VE3W -[E1]** **MSZ-EF25VE3W -[E1]**
MSZ-EF18VE3B -[E1] **MSZ-EF22VE3B -[E1]** **MSZ-EF25VE3B -[E1]**
MSZ-EF18VE3S -[E1] **MSZ-EF22VE3S -[E1]** **MSZ-EF25VE3S -[E1]**
MSZ-EF35VE3W -[E1] **MSZ-EF42VE3W -[E1]** **MSZ-EF50VE3W -[E1]**
MSZ-EF35VE3B -[E1] **MSZ-EF42VE3B -[E1]** **MSZ-EF50VE3B -[E1]**
MSZ-EF35VE3S -[E1] **MSZ-EF42VE3S -[E1]** **MSZ-EF50VE3S -[E1]**

1-14. INDOOR UNIT ELECTRICAL PARTS AND FUNCTIONAL PARTS



1-15. INDOOR UNIT HEAT EXCHANGER



RoHS PARTS LIST

1-14. INDOOR UNIT ELECTRICAL PARTS AND FUNCTIONAL PARTS

No.	RoHS	Part No.	Part name	Symbol in Wiring Diagram	Q'ty/unit															Remarks
					MSZ-EF															
					18			22			25			35			42			
VE3W	VE3B	VE3S	VE3W	VE3B	VE3S	VE3W	VE3B	VE3S	VE3W	VE3B	VE3S	VE3W	VE3B	VE3S	VE3W	VE3B	VE3S			
-E1	-E1	-E1	-E1	-E1	-E1	-E1	-E1	-E1	-E1	-E1	-E1	-E1	-E1	-E1	-E1	-E1	-E1			
1	G	E12 751 509	BEARING MOUNT		1	1	1	1	1	1	1	1	1	1	1	1	1	1		
2	G	E12 001 504	SLEEVE BEARING		1	1	1	1	1	1	1	1	1	1	1	1	1	1		
3	G	E12 897 702	DRAIN HOSE		1	1	1	1	1	1	1	1	1	1	1	1	1	1		
4	G	E12 F95 235	NOZZLE ASSEMBLY		1			1			1			1			1			
	G	E12 G21 235				1			1			1			1			1		
	G	E12 G26 235					1			1			1			1			1	
5	G	E12 F95 040	VANE UPPER		1			1			1			1			1			
	G	E12 G21 040				1			1			1			1			1		
	G	E12 G26 040					1			1			1			1			1	
6	G	E12 F95 041	VANE LOWER		1			1			1			1			1			
	G	E12 G21 041				1			1			1			1			1		
	G	E12 G26 041					1			1			1			1			1	
7	G	E12 A89 303	VANE MOTOR	MV	2	2	2	2	2	2	2	2	2	2	2	2	2	2	UP & DOWN, 1 PC/SET	
8	G	E12 F95 308	ROOM TEMPERATURE THERMISTOR	RT11	1	1	1	1	1	1	1	1	1	1	1	1	1	1		
9	G	E12 F95 095	DISPLAY P.C. BOARD HOLDER		1	1	1	1	1	1	1	1	1	1	1	1	1	1		
10	G	E12 T21 375	TERMINAL BLOCK	TB	1	1	1	1	1	1	1	1	1	1	1	1	1	1		
11	G	E12 K14 452	ELECTRONIC CONTROL P.C. BOARD ※1		1	1	1	1	1	1										
	G	E12 K15 452							1	1	1									
	G	E12 K16 452										1	1	1						
	G	E12 K17 452													1	1	1			
	G	E12 K18 452																1	1	1
12	G	E12 F98 440	POWER P.C. BOARD		1	1	1	1	1	1	1	1	1	1	1	1	1	1		
13	G	E12 F95 307	INDOOR COIL THERMISTOR	RT12,RT13	1	1	1	1	1	1	1	1	1	1	1	1	1	1		
14	G	E12 B75 385	VARISTOR	NR11	1	1	1	1	1	1	1	1	1	1	1	1	1	1		
15	G	E12 A49 382	FUSE	F11	1	1	1	1	1	1	1	1	1	1	1	1	1	1	T3.15AL250V	
16	G	E12 F95 784	V.A. CLAMP		1	1	1	1	1	1	1	1	1	1	1	1	1	1		
17	G	E12 F95 541	WATER CUT		1	1	1	1	1	1	1	1	1	1	1	1	1	1		
18	G	E12 J44 300	INDOOR FAN MOTOR ※2	MF	1	1	1	1	1	1	1	1	1	1	1	1	1	1	RC0J40-□□	
19	G	E12 F95 333	MOTOR BAND		1	1	1	1	1	1	1	1	1	1	1	1	1	1		
20	G	E12 F95 302	LINE FLOW FAN		1	1	1	1	1	1	1	1	1	1	1	1	1	1		

※1 Including RECEIVER BOARD, DISPLAY BOARD and SWITCH BOARD.

※2 Including FAN MOTOR RUBBER MOUNT (2 PCS/SET)

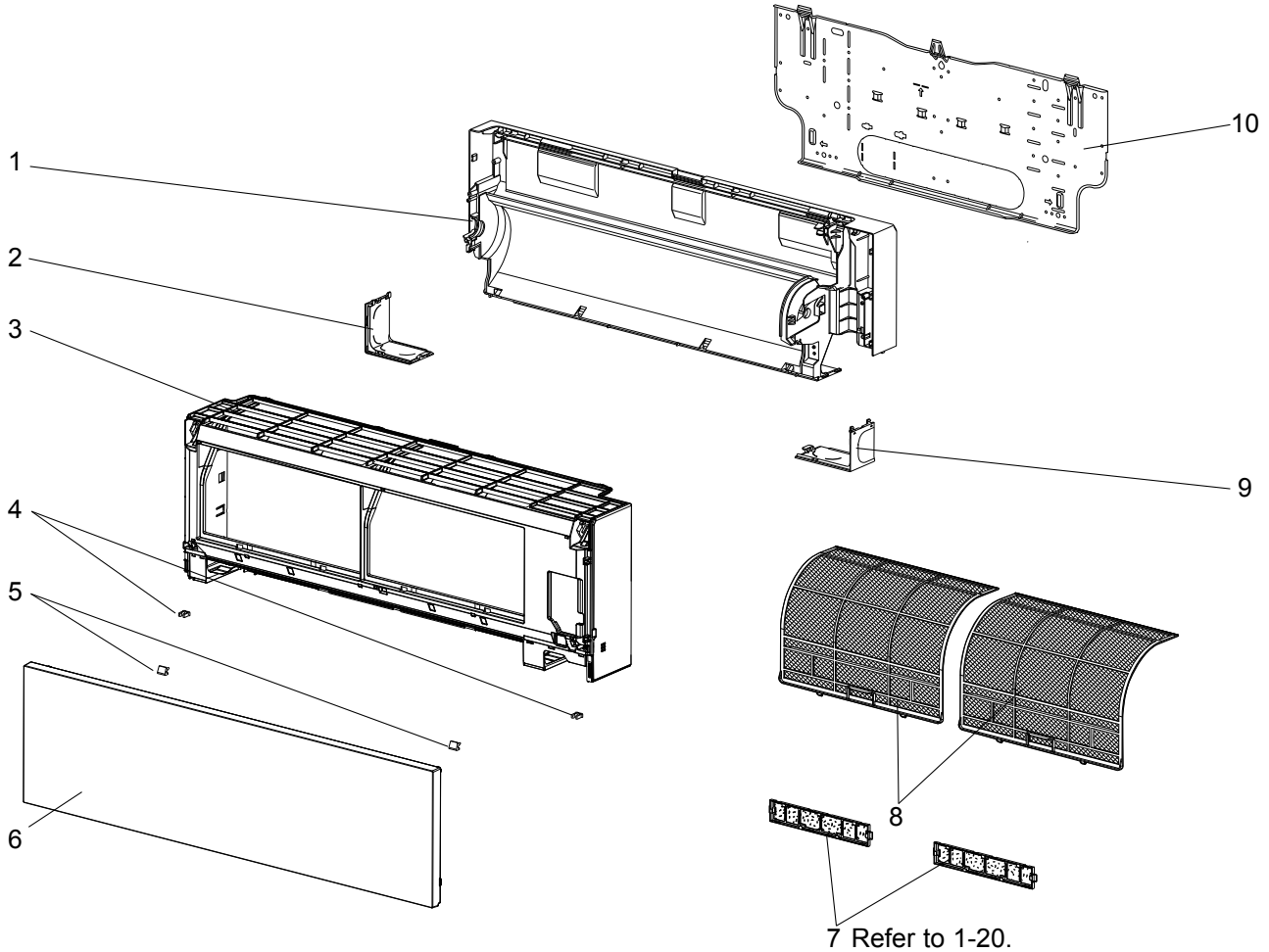
1-15. INDOOR UNIT HEAT EXCHANGER

No.	RoHS	Part No.	Part name	Symbol in Wiring Diagram	Q'ty/unit															Remarks
					MSZ-EF															
					18			22			25			35			42			
VE3W	VE3B	VE3S	VE3W	VE3B	VE3S	VE3W	VE3B	VE3S	VE3W	VE3B	VE3S	VE3W	VE3B	VE3S	VE3W	VE3B	VE3S			
-E1	-E1	-E1	-E1	-E1	-E1	-E1	-E1	-E1	-E1	-E1	-E1	-E1	-E1	-E1	-E1	-E1	-E1			
1	G	E12 F95 620	INDOOR HEAT EXCHANGER		1	1	1	1	1	1	1	1	1	1	1	1	1	1		
	G	E12 F99 620																1	1	1
2	G	E12 151 667	UNION (LIQUID)		1	1	1	1	1	1	1	1	1	1	1	1	1	1	ø6.35	
3	G	E12 815 666	UNION (GAS)		1	1	1	1	1	1	1	1	1	1	1	1	1	1	ø9.52	
	G	E12 155 666																1	1	1

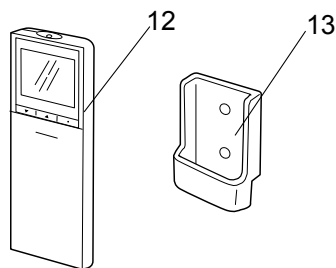
RoHS PARTS LIST

MSZ-EF22VE3W -ER1 MSZ-EF25VE3W -ER1
 MSZ-EF22VE3B -ER1 MSZ-EF25VE3B -ER1
 MSZ-EF22VE3S -ER1 MSZ-EF25VE3S -ER1
 MSZ-EF35VE3W -ER1 MSZ-EF42VE3W -ER1 MSZ-EF50VE3W -ER1
 MSZ-EF35VE3B -ER1 MSZ-EF42VE3B -ER1 MSZ-EF50VE3B -ER1
 MSZ-EF35VE3S -ER1 MSZ-EF42VE3S -ER1 MSZ-EF50VE3S -ER1

1-16. INDOOR UNIT STRUCTURAL PARTS



1-17. ACCESSORY AND REMOTE CONTROLLER



RoHS PARTS LIST

1-16. INDOOR UNIT STRUCTURAL PARTS

Part numbers that is circled is not shown in the illustration.

No.	RoHS	Part No.	Part name	Symbol in Wiring Diagram	Q'ty/unit												Remarks							
					MSZ-EF																			
					22			25			35			42				50						
VE3W -ER1	VE3B -ER1	VE3S -ER1	VE3W -ER1	VE3B -ER1	VE3S -ER1	VE3W -ER1	VE3B -ER1	VE3S -ER1	VE3W -ER1	VE3B -ER1	VE3S -ER1	VE3W -ER1	VE3B -ER1	VE3S -ER1										
1	G	E12 F95 234	BOX ASSEMBLY		1			1			1			1			1							
	G	E12 G21 234				1				1				1				1						
	G	E12 G26 234					1					1					1				1			
2	G	E12 F95 976	CORNER BOX LEFT		1			1			1			1			1							
	G	E12 G21 976				1				1				1				1						
	G	E12 G26 976					1					1					1				1			
3	G	E12 W32 000	PANEL ASSEMBLY		1			1			1			1			1			Including No. 3,4,5				
	G	E12 W44 000				1				1				1				1		Including No. 3,4,5				
	G	E12 W38 000					1					1					1			Including No. 3,4,5				
4	G	E12 F95 142	CATCH		2	2	2	2	2	2	2	2	2	2	2	2	2	2	2	2	2	2	2 PCS/SET	
5	G	E12 F95 067	SCREW CAP		2			2			2			2			2			2			2 PCS/SET	
	G	E12 G21 067				2				2				2				2			2			2 PCS/SET
	G	E12 G26 067					2					2					2				2			2 PCS/SET
6	G	E12 T21 010	FRONT PANEL		1			1			1			1			1							
	G	E12 T25 010				1				1				1				1						
	G	E12 T29 010					1					1					1				1			
7	G	—	AIR CLEANING FILTER (SILVER-IONIZED AIR PURIFIER FILTER)		2	2	2	2	2	2	2	2	2	2	2	2	2	2	2	2	2	2	1 PC/SET	
8	G	E12 W14 100	AIR FILTER (AIR PURIFYING FILTER)		2	2	2	2	2	2	2	2	2	2	2	2	2	2	2	2	2	2	1 PC/SET	
9	G	E12 F95 975	CORNER BOX RIGHT		1			1			1			1			1							
	G	E12 G21 975				1				1				1				1						
	G	E12 G26 975					1					1					1				1			
10	G	E12 F95 970	INSTALLATION PLATE		1	1	1	1	1	1	1	1	1	1	1	1	1	1	1	1	1	1		
⑪	G	—	SOFT DRY CLOTH			1			1				1				1				1		MAC-1001CL-E	

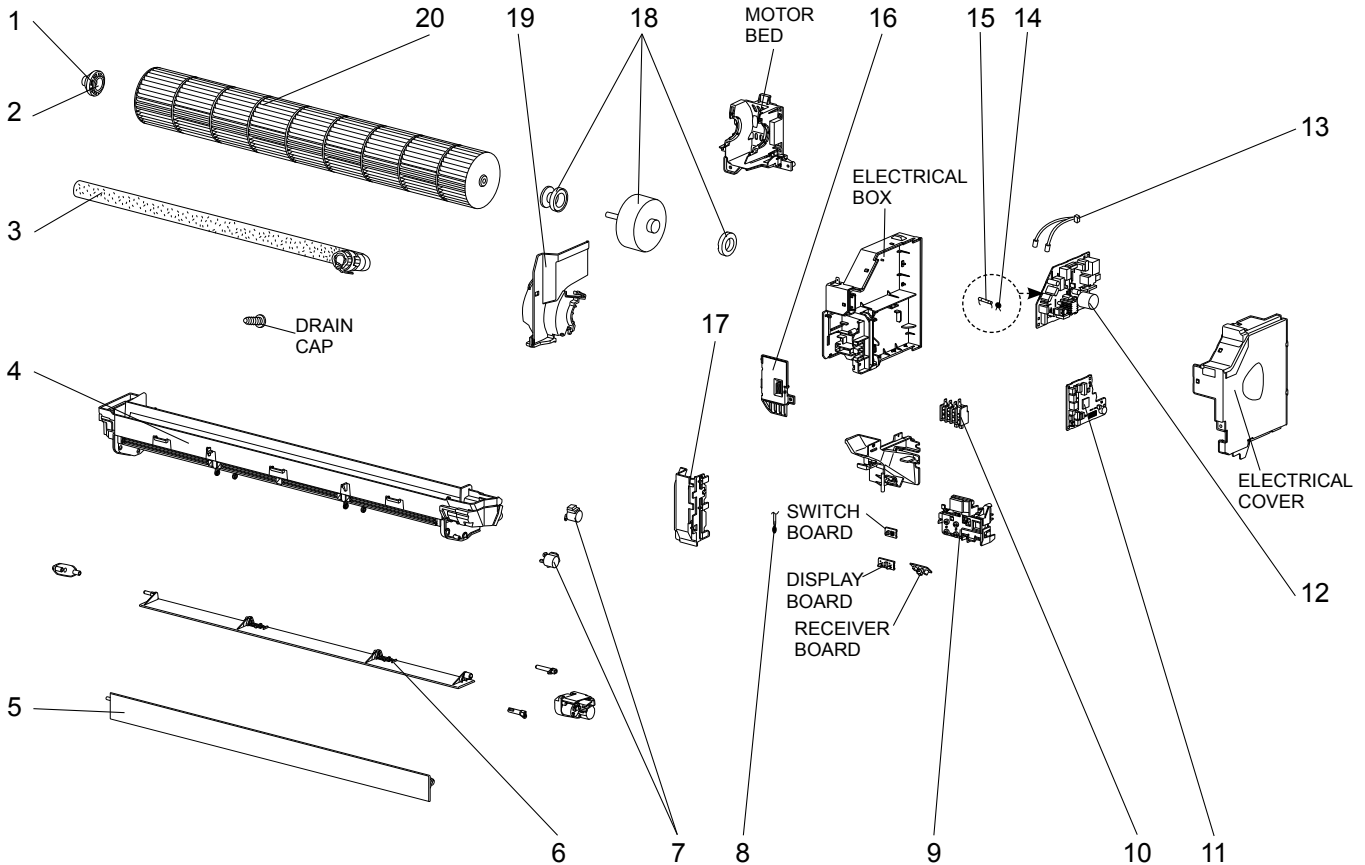
1-17. ACCESSORY AND REMOTE CONTROLLER

No.	RoHS	Part No.	Part name	Symbol in Wiring Diagram	Q'ty/unit												Remarks						
					MSZ-EF																		
					22			25			35			42				50					
VE3W -ER1	VE3B -ER1	VE3S -ER1	VE3W -ER1	VE3B -ER1	VE3S -ER1	VE3W -ER1	VE3B -ER1	VE3S -ER1	VE3W -ER1	VE3B -ER1	VE3S -ER1	VE3W -ER1	VE3B -ER1	VE3S -ER1									
12	G	E12 R80 426	REMOTE CONTROLLER		1	1	1	1	1	1	1	1	1	1	1	1	1	1	1	1	1	1	SG15D
13	G	E12 F28 083	REMOTE CONTROLLER HOLDER		1	1	1	1	1	1	1	1	1	1	1	1	1	1	1	1	1	1	

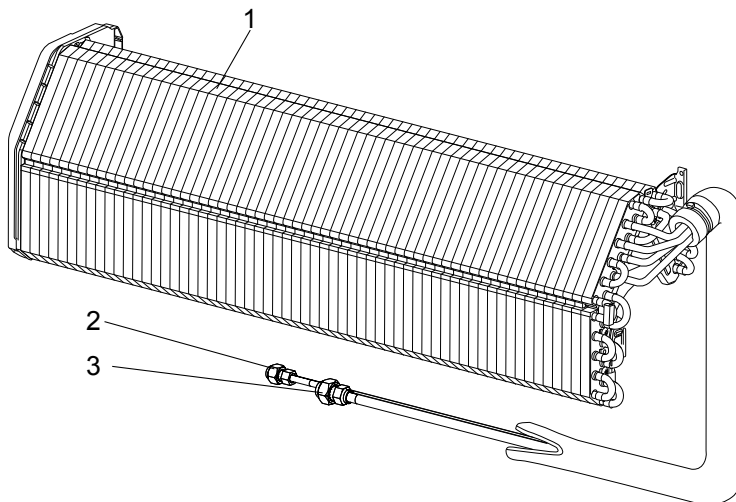
RoHS PARTS LIST

MSZ-EF22VE3W -[ER1] MSZ-EF25VE3W -[ER1]
MSZ-EF22VE3B -[ER1] MSZ-EF25VE3B -[ER1]
MSZ-EF22VE3S -[ER1] MSZ-EF25VE3S -[ER1]
MSZ-EF35VE3W -[ER1] MSZ-EF42VE3W -[ER1] MSZ-EF50VE3W -[ER1]
MSZ-EF35VE3B -[ER1] MSZ-EF42VE3B -[ER1] MSZ-EF50VE3B -[ER1]
MSZ-EF35VE3S -[ER1] MSZ-EF42VE3S -[ER1] MSZ-EF50VE3S -[ER1]

1-18. INDOOR UNIT ELECTRICAL PARTS AND FUNCTIONAL PARTS



1-19. INDOOR UNIT HEAT EXCHANGER



RoHS PARTS LIST

1-18. INDOOR UNIT ELECTRICAL PARTS AND FUNCTIONAL PARTS

No.	RoHS	Part No.	Part name	Symbol in Wiring Diagram	Q'ty/unit												Remarks
					MSZ-EF												
					22			25			35			42			
VE3W	VE3B	VE3S	VE3W	VE3B	VE3S	VE3W	VE3B	VE3S	VE3W	VE3B	VE3S	VE3W	VE3B	VE3S			
-ER1			-ER1			-ER1			-ER1			-ER1					
1	G	E12 751 509	BEARING MOUNT		1	1	1	1	1	1	1	1	1	1	1		
2	G	E12 001 504	SLEEVE BEARING		1	1	1	1	1	1	1	1	1	1	1		
3	G	E12 897 702	DRAIN HOSE		1	1	1	1	1	1	1	1	1	1	1		
4	G	E12 F95 235	NOZZLE ASSEMBLY		1		1		1		1		1				
	G	E12 G21 235			1		1		1		1		1				
	G	E12 G26 235			1		1		1		1		1				
5	G	E12 F95 040	VANE UPPER		1		1		1		1		1				
	G	E12 G21 040			1		1		1		1		1				
	G	E12 G26 040			1		1		1		1		1				
6	G	E12 F95 041	VANE LOWER		1		1		1		1		1				
	G	E12 G21 041			1		1		1		1		1				
	G	E12 G26 041			1		1		1		1		1				
7	G	E12 A89 303	VANE MOTOR	MV	2	2	2	2	2	2	2	2	2	2	2	UP & DOWN, 1 PC/SET	
8	G	E12 F95 308	ROOM TEMPERATURE THERMISTOR	RT11	1	1	1	1	1	1	1	1	1	1	1		
9	G	E12 F95 095	DISPLAY P.C. BOARD HOLDER		1	1	1	1	1	1	1	1	1	1	1		
10	G	E12 T21 375	TERMINAL BLOCK	TB	1	1	1	1	1	1	1	1	1	1	1		
11	G	E12 K14 452	ELECTRONIC CONTROL P.C. BOARD ※1		1	1	1										
	G	E12 K15 452			1	1	1										
	G	E12 K16 452			1	1	1										
	G	E12 K17 452			1	1	1					1	1	1			
	G	E12 K18 452			1	1	1					1	1	1			
12	G	E12 F98 440	POWER P.C. BOARD		1	1	1	1	1	1	1	1	1	1	1		
13	G	E12 F95 307	INDOOR COIL THERMISTOR	RT12,RT13	1	1	1	1	1	1	1	1	1	1	1		
14	G	E12 B75 385	VARISTOR	NR11	1	1	1	1	1	1	1	1	1	1	1		
15	G	E12 A49 382	FUSE	F11	1	1	1	1	1	1	1	1	1	1	1	T3.15AL250V	
16	G	E12 F95 784	V.A. CLAMP		1	1	1	1	1	1	1	1	1	1	1		
17	G	E12 F95 541	WATER CUT		1	1	1	1	1	1	1	1	1	1	1		
18	G	E12 J44 300	INDOOR FAN MOTOR ※2	MF	1	1	1	1	1	1	1	1	1	1	1	RC0J40-□□	
19	G	E12 F95 333	MOTOR BAND		1	1	1	1	1	1	1	1	1	1	1		
20	G	E12 F95 302	LINE FLOW FAN		1	1	1	1	1	1	1	1	1	1	1		

※1 Including RECEIVER BOARD, DISPLAY BOARD and SWITCH BOARD.

※2 Including FAN MOTOR RUBBER MOUNT (2 PCS/SET)

1-19. INDOOR UNIT HEAT EXCHANGER

No.	RoHS	Part No.	Part name	Symbol in Wiring Diagram	Q'ty/unit												Remarks
					MSZ-EF												
					22			25			35			42			
VE3W	VE3B	VE3S	VE3W	VE3B	VE3S	VE3W	VE3B	VE3S	VE3W	VE3B	VE3S	VE3W	VE3B	VE3S			
-ER1			-ER1			-ER1			-ER1			-ER1					
1	G	E12 F95 620	INDOOR HEAT EXCHANGER		1	1	1	1	1	1	1	1	1	1			
	G	E12 F99 620											1	1	1		
2	G	E12 151 667	UNION (LIQUID)		1	1	1	1	1	1	1	1	1	1	1	ø6.35	
3	G	E12 815 666	UNION (GAS)		1	1	1	1	1	1	1	1	1	1		ø9.52	
	G	E12 155 666											1	1	1	ø12.7	

RoHS PARTS LIST

1-20. AIR CLEANING FILTER (Silver-ionized air purifier filter)

Every 3 months:

- Remove dirt by a vacuum cleaner.

When dirt cannot be removed by vacuum cleaning:

- Soak the filter and its frame in lukewarm water before rinsing it.
- After washing, dry it well in shade. Install all tabs of the air filter.

Every year:

- Replace it with a new air cleaning filter for best performance.

NOTE 1: Clean the filters regularly for best performance and to reduce power consumption.

NOTE 2: Dirty filters cause condensation in the air conditioner which will contribute to the growth of fungi such as mold.
It is therefore recommended to clean air filters every 2 weeks.

Model		Part No.
MSZ-EF18VE3W	MSZ-EF35VE3W	MAC-2370FT-E
MSZ-EF18VE3B	MSZ-EF35VE3B	
MSZ-EF18VE3S	MSZ-EF35VE3S	
MSZ-EF22VE3W	MSZ-EF42VE3W	
MSZ-EF22VE3B	MSZ-EF42VE3B	
MSZ-EF22VE3S	MSZ-EF42VE3S	
MSZ-EF25VE3W	MSZ-EF50VE3W	
MSZ-EF25VE3B	MSZ-EF50VE3B	
MSZ-EF25VE3S	MSZ-EF50VE3S	

2-1. AIR CLEANING FILTER

ELECTROSTATIC ANTI-ALLERGY ENZYME FILTER

Every 3 months:

- Remove dirt by a vacuum cleaner.

When dirt cannot be removed by vacuum cleaning:

- Soak the filter and its frame in lukewarm water before rinsing it.
- After washing, dry it well in shade. Install all tabs of the air filter.

Every year:

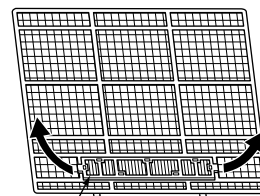
- Replace it with a new air cleaning filter for best performance.

NOTE 1: Clean the filters regularly for best performance and to reduce power consumption.

NOTE 2: Dirty filters cause condensation in the air conditioner which will contribute to the growth of fungi such as mold. It is therefore recommended to clean air filters every 2 weeks.

Model		Part No.
MSZ-EF18VEW	MSZ-EF18VE2W	MAC-2320FT
MSZ-EF18VEB	MSZ-EF18VE2B	
MSZ-EF18VES	MSZ-EF18VE2S	
MSZ-EF22VEW	MSZ-EF22VE2W	
MSZ-EF22VEB	MSZ-EF22VE2B	
MSZ-EF22VES	MSZ-EF22VE2S	
MSZ-EF25VEW	MSZ-EF25VE2W	
MSZ-EF25VEB	MSZ-EF25VE2B	
MSZ-EF25VES	MSZ-EF25VE2S	
MSZ-EF35VEW	MSZ-EF35VE2W	
MSZ-EF35VEB	MSZ-EF35VE2B	
MSZ-EF35VES	MSZ-EF35VE2S	
MSZ-EF42VEW	MSZ-EF42VE2W	
MSZ-EF42VEB	MSZ-EF42VE2B	
MSZ-EF42VES	MSZ-EF42VE2S	
MSZ-EF50VEW	MSZ-EF50VE2W	
MSZ-EF50VEB	MSZ-EF50VE2B	
MSZ-EF50VES	MSZ-EF50VE2S	

Pull to remove from the air filter



Air cleaning filter
(Electrostatic anti-allergy enzyme filter)

2-2. SOFT DRY CLOTH

- Clean the panel with the soft dry cloth when it is dirty.

Model			Part No.
MSZ-EF18VEW	MSZ-EF18VE2W	MSZ-EF18VE3W	MAC-1001CL-E
MSZ-EF18VES	MSZ-EF18VE2S	MSZ-EF18VE3S	
MSZ-EF22VEW	MSZ-EF22VE2W	MSZ-EF22VE3W	
MSZ-EF22VES	MSZ-EF22VE2S	MSZ-EF22VE3S	
MSZ-EF25VEW	MSZ-EF25VE2W	MSZ-EF25VE3W	
MSZ-EF25VES	MSZ-EF25VE2S	MSZ-EF25VE3S	
MSZ-EF35VEW	MSZ-EF35VE2W	MSZ-EF35VE3W	
MSZ-EF35VES	MSZ-EF35VE2S	MSZ-EF35VE3S	
MSZ-EF42VEW	MSZ-EF42VE2W	MSZ-EF42VE3W	
MSZ-EF42VES	MSZ-EF42VE2S	MSZ-EF42VE3S	
MSZ-EF50VEW	MSZ-EF50VE2W	MSZ-EF50VE3W	
MSZ-EF50VES	MSZ-EF50VE2S	MSZ-EF50VE3S	

MITSUBISHI ELECTRIC CORPORATION

HEAD OFFICE: TOKYO BLDG., 2-7-3, MARUNOUCHI, CHIYODA-KU, TOKYO 100-8310, JAPAN

© Copyright 2010 MITSUBISHI ELECTRIC CORPORATION
Distributed in Dec. 2015. No.OBB589 REVISED EDITION-D
Distributed in Jan. 2014. No.OBB589 REVISED EDITION-C
Distributed in Nov. 2012. No.OBB589 REVISED EDITION-B
Distributed in Apr. 2012. No.OBB589 REVISED EDITION-A
Distributed in Nov. 2010. No. OBB589
Made in Japan

New publication, effective Dec. 2015
Specifications are subject to change without notice.